

TECHNICAL SPECIFICATION

Timer TE 19M



Description:

Timer is developed using modern technologies from quality and reliable materials and is adapted for mounting on DIN rail. It is used for providing time intervals in eight time programs, which are assigned by combinations of the keys. There is an option for it to operate in time ranges (assigned by the keys K4, K5, K6): seconds, minutes or hours depending on the necessity of the user. Power contact up to 3A.

Technical data:

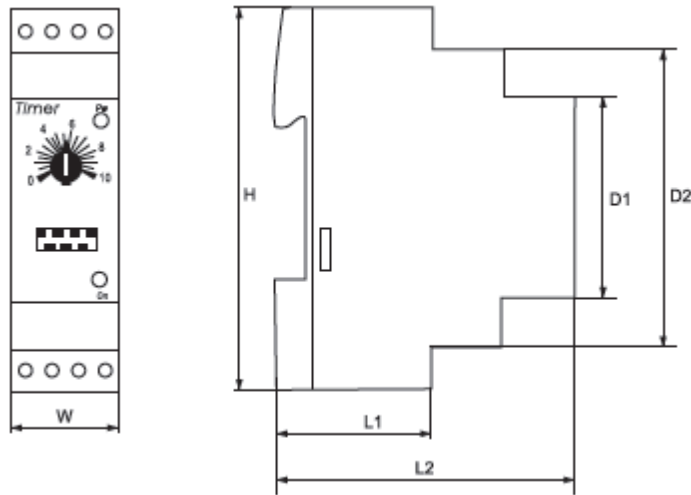
- Input voltage: 230V; 50Hz
- Range of setting: from 0.6 sec to 100 hours
- Accuracy of setting: $\pm 5\%$ from the whole scale
- Time for nullifying: <0.5 seconds
- Consumed capacity: $< 5VA$
- Electrical endurance (number of cycles): 100 000 cycles
- Mechanical endurance (number of cycles): 1 000 000 cycles
- Operation temperature: $-10 \div +65^{\circ}C$
- Humidity: 45 - 85%RH
- Computing option: up to 5A
- Indication:
 - on power supply: red indication
 - on operational output relay: green indication

- Weight: 150 gr
- Time functions: according to the programming guide

Mounting:

- DIN-rail

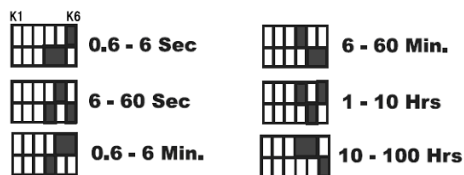
Dimensions:



H	W	H1	H2	L1	L2
85	24	45	60	34	66

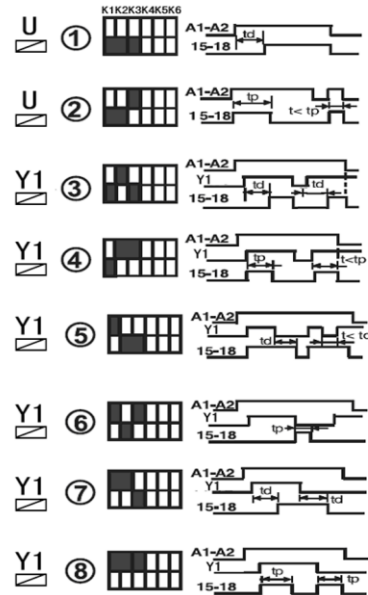
Type	Packing / Box (pcs)	Catalogue number
TE 19M	1 / 200	50102M

Time ranges:

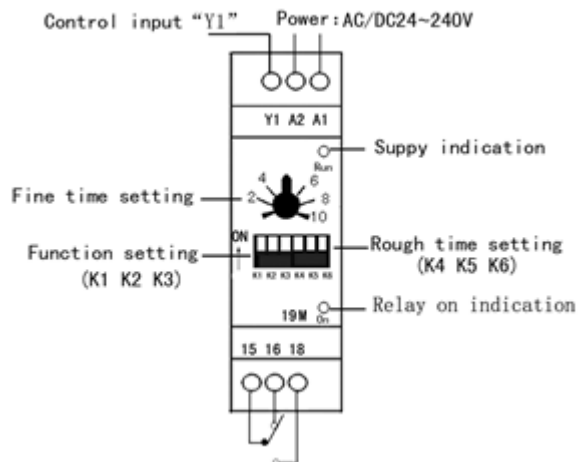


Functions:

- ① DELAY ON
after energisation
- ② ON PULSE
after energisation
- ③ ON PULSE
(Trailing edge, signal start delay on)
- ④ ON PULSE
(Trailing edge, signal start relay on and delay off)
- ⑤ DELAY OFF
(Trailing edge, signal start)
- ⑥ OFF PULSE
(Trailing edge, signal start, relay on and delay off)
- ⑦ ON AND OFF PULSE
(signal start delay on and delay off)
- ⑧ ON AND OFF PULSE
(signal start relay on and delay off)



Description:



Connection:

